

SF LOTIC Series | Low Payload Robot Model: SF6-C1200

The SF LOTIC is a series of low payload industrial robots tailored to handle small objects with excellent performance and flexibility at all times.

SF LOTIC is your indispensable helper in making cost-effective choices with a wide range of products.

With a finely segmented maximum movement radius of 1200 mm, you can precisely define the robot you need with excellent performance and stability while paying less for investment and energy costs.

All SF LOTIC series are equipped with LIKEPRECISION technology, the ultra-precise RV Precision Gearbox, which allows the robot to take full advantage even at high operating speeds.

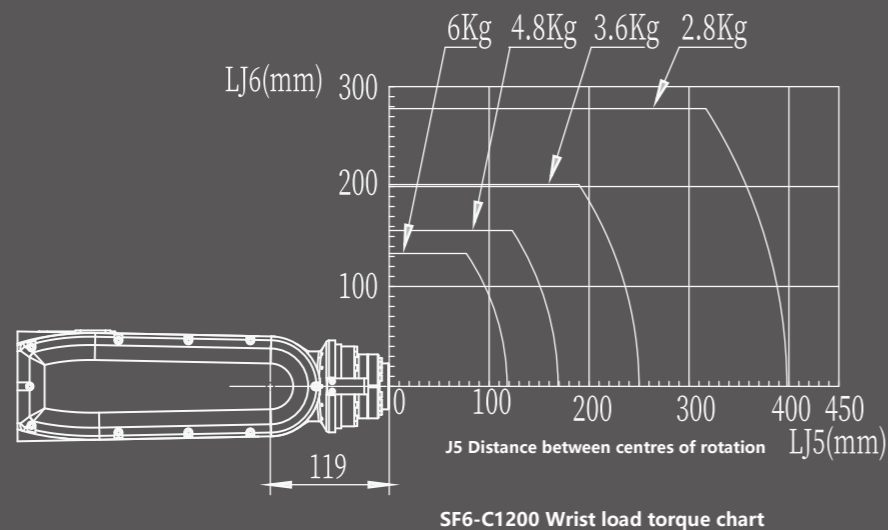
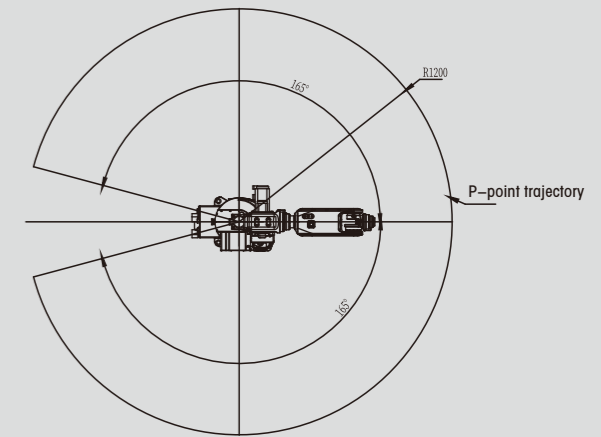
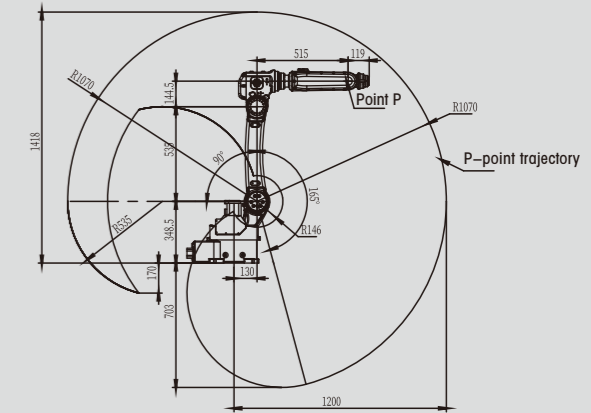
Applications



SF6-C1200 Data Overview

Model	SF6-C1200	
Structure	Vertically Articulated	
Number of Axis	6	
Radius	1200mm	
Payload	6kg	
Repeatability	±0.05mm	
Drive Mode	AC Servo Motor	
Maximum Speed	J1	230° /s
	J2	230° /s
	J3	200° /s
	J4	240° /s
	J5	400° /s
	J6	600° /s
Range of Motion	J1	±165°
	J2	+90° /-165°
	J3	+150° /-90°
	J4	±180°
	J5	±120°
	J6	±360°
Allowable Moment	J4	15.6N.M
	J5	15.6N.M
	J6	8.5N.M
Allowable Inertia	J4	0.43kg.m2
	J5	0.43kg.m2
	J6	0.13kg.m2
Protection Rating	IP 65	
Operating Conditions	Temp.	0-45°C
	Humidity	Below 95%RH
	Vibration	Below 4.9m/s2
	Other	Eliminate Signal Noise
Base Size	280*362mm	
Height	1096mm	
Weight	72KG	
Mounting Positions	Floor, Wall, Ceiling	
Power Consumption	1.5kVA	

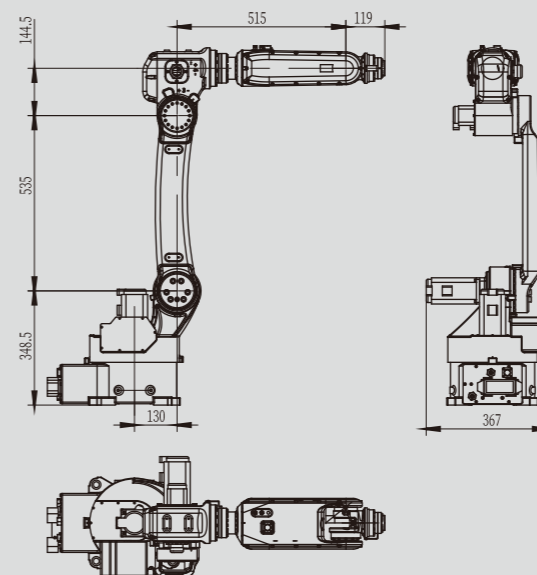
SF6-C1200 Range of Motion



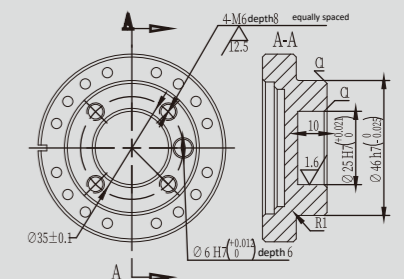
SF6-C1200 Wrist load torque chart

Note: The centre of gravity point of the load should be within the wrist torque diagram when in use

External & Installation Dimensions



A-Way Diagram (End Flange Mounting Dimensions)



B-Way Diagram (Base Mounting Dimensions)

